

Parking heater



▶ Thermo 230 / 300 / 350

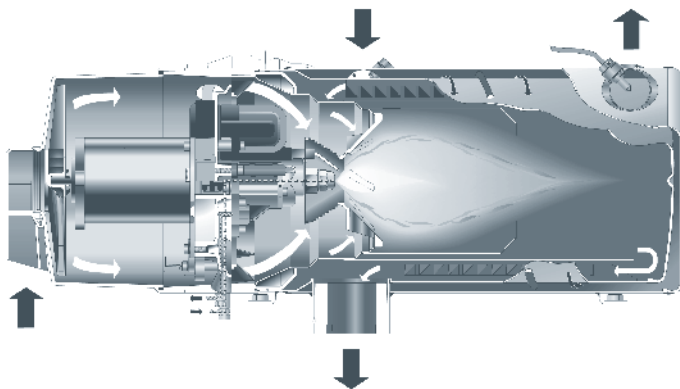
Pleasant interior temperatures with Spheros on board



The name Spheros is synonymous with reliable, convenient parking heaters for buses. More than 200,000 heaters have already been installed, underlining Spheros' competence and quality.

► Thermo 230 / 300 / 350

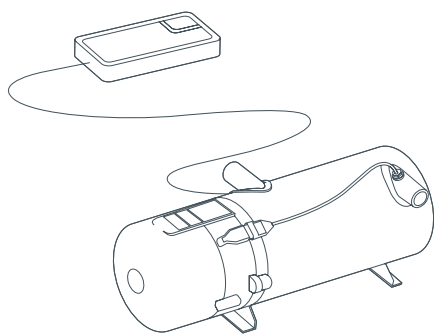
Cross section Thermo



Highlights

- Reliable and proven technology
- Easy to service and maintain due to integrated diagnosis and convenient access
- Suitable for operation with alternative fuels
- Auxiliary heating function raises the temperature level of engines designed for optimum fuel consumption

Spheros Thermo test diagnosis for fast data queries during servicing



Technical data	Thermo 230	Thermo 300	Thermo 350
Heat output (kW)	23	30	35
Power consumption (W)	65	110	140
Fuel consumption (l/h)	3.0	4.0	4.5
Nominal voltage (V)	24	24	24
Dimensions L x W x H (mm)	610 x 246 x 220		
Weight (kg)	19	19	19