



SPHEROS

Sidewall heater

▶ Axial and radial

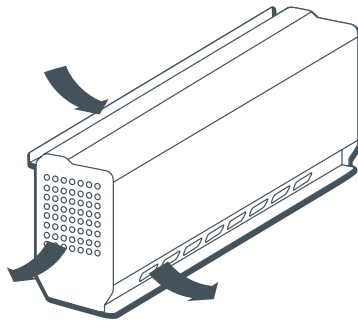
For maximum comfort in coaches and intercity buses



Spheros axial and radial sidewall heaters make a significant contribution to optimizing the bus heating and air-conditioning system. Fast warm-up of the interior with ideal temperature distribution, together with service-friendliness and long service life are only a few of the many benefits of sidewall heaters.

► Axial and radial sidewall heater

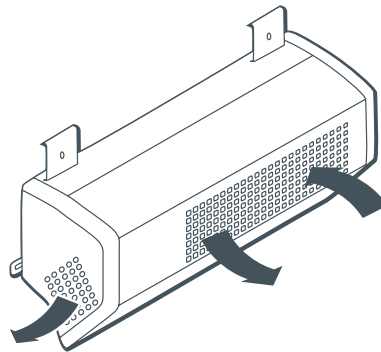
Axial sidewall heater



Highlights (axial)

- Greater comfort and fast warm-up with hot air to all seats
- Low noise level and long life due to optimized blower
- Cost-effective design principle
- Variable length from approx. 1.7 m to 11.4 m
- Variable heat output up to 1,500 W/m (at $\Delta T = 60^\circ\text{C}$)
- Double heat output compared to convectors

Radial sidewall heater



Highlights (radial)

- Compact design with a length of 528 mm
- Cost-effective and versatile
- Three blower directions ensure excellent heat distribution
- Variable 2-stage air flow
- High heat output 4.4 kW (at $\Delta T = 60^\circ\text{C}$)

Technical data

	Axial	Radial
Heat output	up to 1,500 W/m *	4.4 kW *
Length	1.7-11.4 m	528 mm

* (at $\Delta T = 60^\circ\text{C}$)